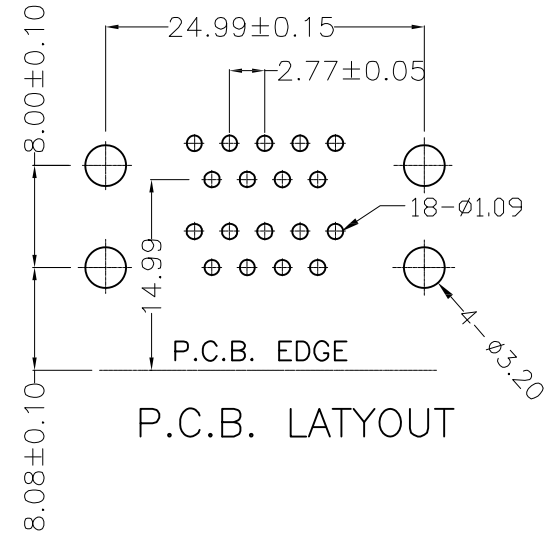
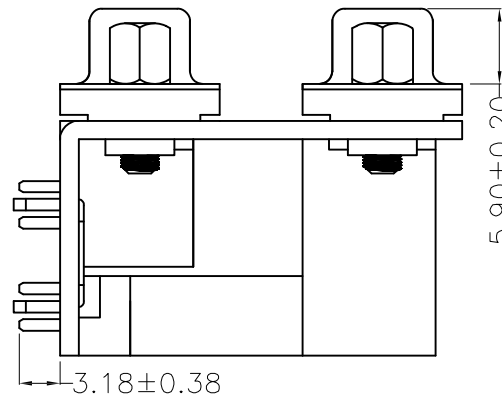
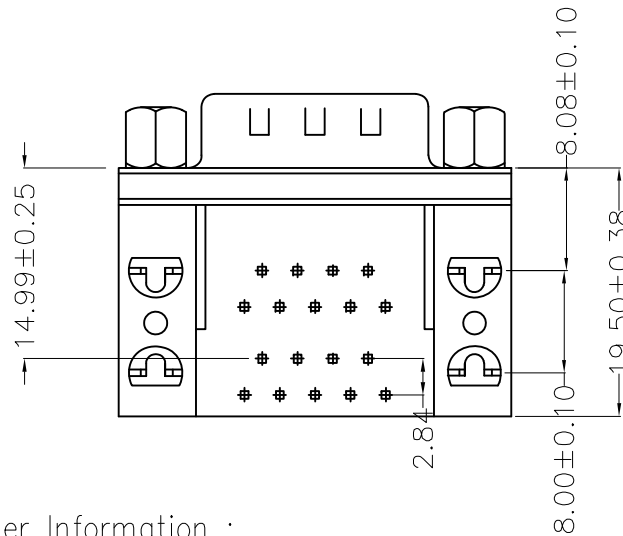


- 1.Material:
 1.Insulator:PBT+30%Glass Fiber (UL94V-0),black color
 2.Contact:Copper alloy
 3.Contact Plated:Gold Flash over Tin
 4.Shell:SPCC,Nickel Plated
 2.Specification:
 1.Current Rating:5 AMPS
 2.Insulation Resistance: 1000MΩ MIN. At 500VDC
 3.Dielectric Strength: 500V for One minute
 4.Operation Temperatur: -55°C~+85°C.

RoHS
Compliant



Order Information :

DS20-MM 09 A G1 B -59

D-Sub Dual Layers RA Male 9P with Male 9P
 Pin position 09:9Pin
 X:W/O Screw&Accessories A:W/ Screw Rivet Front
 Contact Plated G1:Gold Flash G4:15u" G5:30u"
 Housing Color B:Black E:Blue G:Green

| REV. | REVISION RECORD | DATE | General Tolerances | | |
|------|-----------------|-----------|-------------------------------|------------|------|
| A | Original | 07/13/15' | LINEAR 0.0 ±0.35 0.00±0.20 | ANGLES ±3° | |
| | | | | UNIT: mm | |
| | | | A4 | NAME | DATE |
| | | | APPROVED | MARTIN | |
| | | | DESIGNER | MERLIN | |
| | | | DRAWN | ANGEL | |



TITLE: D-Sub 9P Male with 9P Male DIP RA Dual Layers

| | | | |
|----------|------------------|-------|--------|
| DWG.NO.: | DS20-MM09AG1B-59 | REV. | A |
| SCALE | 1 : 1 | SHEET | 1 OF 1 |